

Washable Water Filters

Filters with Permanent, Washable Elements Clean Even the Dirtiest Water Supplies

Innovative Filter Element Design Gives You These Benefits:

- A quick wash restores the filter element to new condition
- Permanent elements quickly pay for themselves through savings in replacement cartridge costs
- No inventory of replacement cartridges needed
- Eliminate the problem and expense of disposing of contaminated filter cartridges
- Fit the permanent elements in your existing standard 10" & 20" filter housings without modification, or order from Keller's complete line of filter assemblies
- Extremely high flow rates

Filter Water from Wells, Ponds, and Municipal Water Systems to Protect:

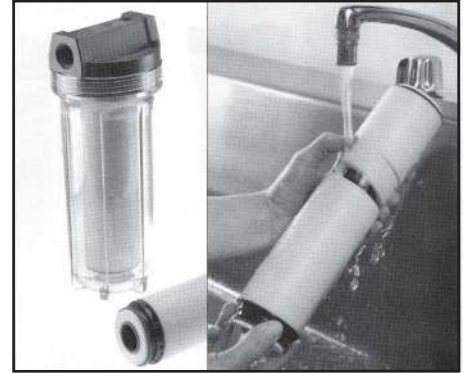
- Plant and laboratory water supplies
- Cooling water systems
- Boiler feedwater systems
- Water spray nozzles
- Maritime applications

Industries Served:

- Paper mills
- Plastic injection molding
- Food manufacturers
- Hospitals
- Municipal waste treatment
- OEM application

To Select the Filter Grade:

- Use the 40 mesh or 80 mesh (200 micron) grade when heavy solids loading is expected, or when only relatively coarse filtration is required - for example, in cooling water loops
- Use the 130 mesh (100 micron) grade to remove essentially all visible solids from the liquid.
- Use the 300 mesh (50 micron) grade to protect finer disposable filters or carbon cartridges



The novel filter elements are constructed of thin plastic discs with precisely-sized grooves, stacked on a central core. The large internal filter surface provides long life between cleanings. When cleaning is required, it is a simple job of a few minutes - no tools needed.



Keller supplies filter assemblies containing the permanent, washable filter elements in line sizes from 3/8-inches to 2 inches (150 gallons per minute)

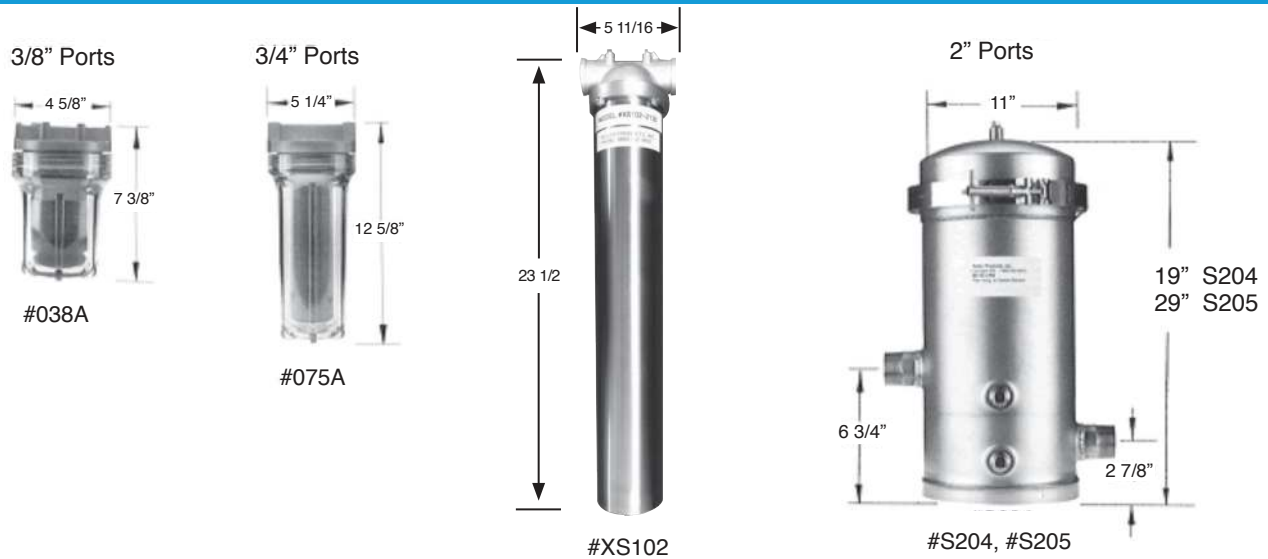
The permanent filter elements fit in standard 10" cartridge filter housing without modifications.



Keller Products
A DIVISION OF PLASTIC DESIGN, INC.

1-800-352-8422
www.kellerfilters.com

Sizing:



Specifications and Ordering Information

How to Select the Correct Size Filter Assembly

Keller supplies filter systems for line sizes from 3/8" to 2", with flow capacities to 150 gallons per minute. To select the correct size Keller filter assembly, **specify the filter assembly with port size equal to the size of the line on which it will be installed.** The flow rate in the line will likely be less than the rated flow of the filter at 2 psi pressure drop (see chart below), and therefore the initial pressure drop will likely be less than 2 psi.

Specifications

| Filter Assembly | #038A* | #075A* | #XS102 | #S204 | #S205 |
|--------------------------|---|-----------|---------|--------------|---------|
| Port Size | 3/8" NPTF | 3/4" NPTF | 1" NPTF | 2" NPTM | 2" NPTM |
| Flow at 2 psi drop (gpm) | 10 | 25 | 50 | 110 | 150 |
| Max. Press. (psig) | 125 | 125 | 300 | 150 | 150 |
| Max. Temp. (°F) | 125 | 125 | 180 | 180 | 180 |
| Materials: | | | | | |
| Filter Elements | Polyethylene & polypropylene, EPR gaskets ----- | | | | |
| Housings: Head: | Polypropylene ----- | | Brass | 304 SS ----- | |
| Bowl: | SAN* ----- | | 304 SS | 304 SS ----- | |
| No. Filter Elements | 1 | 1 | 1 | 4 | 4 |
| Element Length | 5" | 10" | 20" | 10" | 20" |
| Shipping Weight (lbs) | 3 | 5 | 13 | 26 | 34 |

* Also available with polypropylene bowl; substitute "B" for "A" in ordering information.

Ordering Information, Assemblies with Filter Elements Installed:

| | | | | | |
|-----------------------|-----------------|-----------------|-----------------|-------------------|-------------------|
| 40 Mesh | 038A-2040 | 075A-2040 | XS102-2040 | S204-2040 | S205-2040 |
| 80 Mesh (200 micron) | 038A-2080 | 075A-2080 | XS102-2080 | S204-2080 | S205-2080 |
| 130 Mesh (100 micron) | 038A-2130 | 075A-2130 | XS102-2130 | S204-2130 | S205-2130 |
| 300 Mesh (50 micron) | 038A-2300 | 075A-2300 | XS102-2300 | S204-2300 | S205-2300 |
| Price | \$160.00 | \$200.00 | \$695.00 | \$2,085.00 | \$2,675.00 |

Elements to Fit Standard Housings

| | 5" Elements | 10" Elements | 20" Elements |
|-----------------------|----------------|-----------------|-----------------|
| Nominal Length | 5" Elements | 10" Elements | 20" Elements |
| Sealing Length | 4-7/8" - 5" | 9-3/4" - 9-7/8" | 19-3/4" - 20" |
| 40 Mesh | R05-2040 | R10-2040 | R20-2040 |
| 80 Mesh (200 micron) | R05-2080 | R10-2080 | R20-2080 |
| 130 Mesh (100 micron) | R05-2130 | R10-2130 | R20-2130 |
| 300 Mesh (50 micron) | R05-2300 | R10-2300 | R20-2300 |
| Price | \$95.00 | \$125.00 | \$245.00 |

